

Tail – Female Thread 90°

TruDesign Female Thread Tails / Hose barb composite fittings are designed for connecting hoses to male threaded fittings.



Note: For above the water line only when directly fitted to a Skin Fitting / Thru Hull.
In below water line situations - ISO & ABYC require a TruDesign Ball Valve to be fitted directly to a Skin Fittings / Thru Hulls.

TruDesign Tails / Hose Barbs are moulded from a glass reinforced nylon composite. High strength, high-modulus, glass reinforced nylon provides dramatic strength, stiffness, toughness, and dimensional stability.

TruDesign Tails / Hose Barbs eliminate the corrosion and electrical bonding problems associated with metallic fittings. The Tails are designed for twin hose clamps, and to not crush under high load conditions.

Key Features

Feature :	
Manufactured from a glass reinforced nylon composite	High strength and light weight.
When connected to a Skin Fitting / Thru Hull	Must be above water line. Below water line skin fittings must have a Ball Valve directly fitted to it.
Compatible with all hull types	Can be used on aluminum, steel, wood or FRP hulls.
Immune to corrosion and electrolysis	Long life with no concerns over decreased performance due to corrosion.
Chemical resistant	Impervious to diesel, petrol and antifouling paints.
UV resistant	These fittings will not break down with ultraviolet light or discolour from the sun.
High quality surface finish	Will not discolour with green film as similar bronze fittings do.
Fits TruDesign Skin Fittings, BSP & NPS threads	Universal compatibility to other TruDesign fittings, and other marine components.
Large operating temperature range	Suitable for all marine environments, from -40°C to +110°C.

Installation

For thread sealing see TruDesign Technical information sheet on our web site www.trudesignplastics.com - for suitable adhesive sealants and or thread tapes.

The connecting thread type are either BSP or NPS and clearly marked on the side of the fitting along with size. The advantage of parallel threads rather than tapered is that there can be maximum engagement between the mating threads providing a stronger connection. Do not over tighten, simply allow the adhesive sealant to provide the seal and orientation of the fitting. Apply twin hose clamps for a secure hose connection and check tightness regularly.

Part Numbers BSP

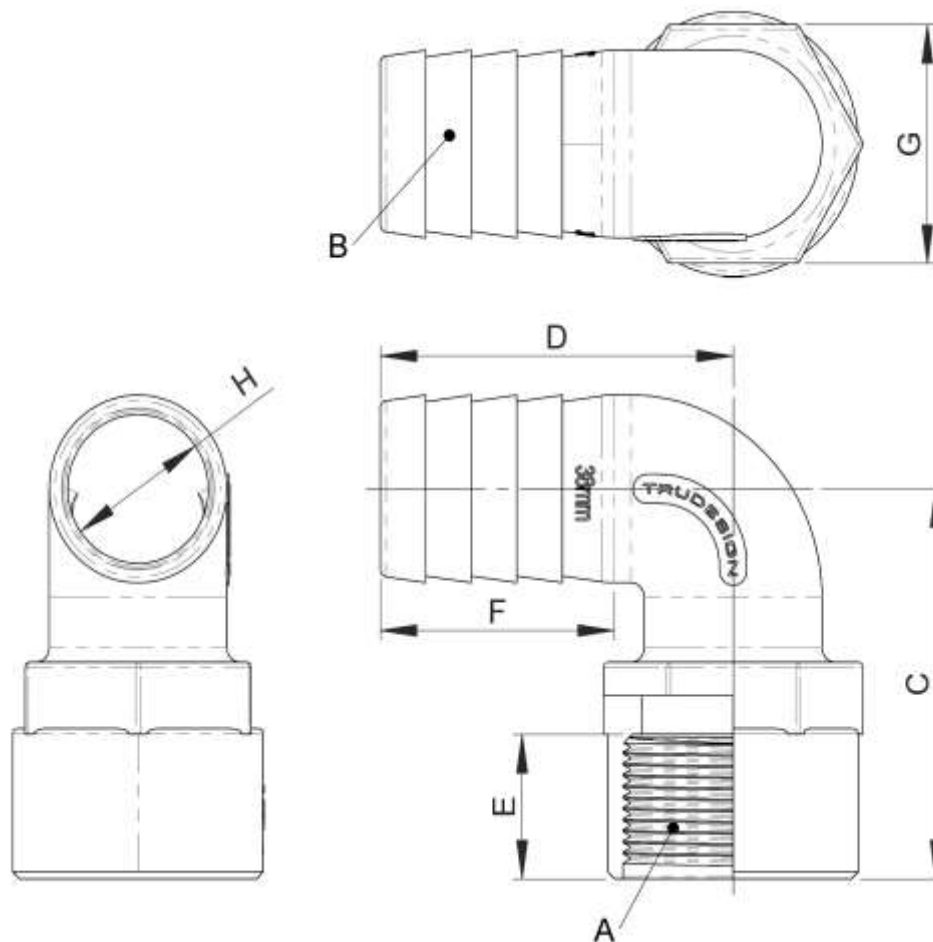
Part Number	Description
90773	Tail 19mm ¾" BSP Female 90° Bend
90774	Tail 19mm ¾" BSP Female 90° Bend PKG
90775	Tail 25mm 1" BSP Female 90° Bend
90776	Tail 25mm 1" BSP Female 90° Bend PKG
90631	Tail 32mm 1¼" BSP Female 90° Bend
90637	Tail 32mm 1¼" BSP Female 90° Bend PKG
90629	Tail 38mm 1½" BSP Female 90° Bend
90635	Tail 38mm 1½" BSP Female 90° Bend PKG
90627	Tail 50mm 2" BSP Female 90° Bend
90633	Tail 50mm 2" BSP Female 90° Bend PKG
90858	Tail Unequal 16mm ½" BSP Female 90° Bend
90859	Tail Unequal 16mm ½" BSP Female 90° Bend PKG
91257	Tail Unequal 28mm 1" BSP Female 90° Bend
91258	Tail Unequal 28mm 1" BSP Female 90° Bend PKG
	* PKG denotes product supplied in branded bag

Part Numbers NPS

Part Number	Description
90835	Hose Barb 90° ¾" x ¾" NPS Female
90836	Hose Barb 90° ¾" x ¾" NPS Female PKG
90837	Hose Barb 90° 1" x 1" NPS Female
90838	Hose Barb 90° 1" x 1" NPS Female PKG
90839	Hose Barb 90° 1¼" x 1¼" NPS Female
90840	Hose Barb 90° 1¼" x 1¼" NPS Female PKG
90841	Hose Barb 90° 1½" x 1½" NPS Female
90842	Hose Barb 90° 1½" x 1½" NPS Female PKG
90843	Hose Barb 90° 2" x 2" NPS Female
90844	Hose Barb 90° 2" x 2" NPS Female PKG
91182	Hose Barb Unequal 1 ⅝" x 1" NPS Female 90° Bend
91183	Hose Barb Unequal 1 ⅝" x 1" NPS Female 90° Bend PKG
	* PKG denotes product supplied in branded bag

Dimensions

A	B	C	D		E		F		G		H			
Thread Size	Tail Size	Length	Length		Thread Length		Tail Length		Hex Size AF		Minimum Internal Ø			
¾"	19mm	¾"	62mm	2 4/9"	52mm	2"	30mm	1 1/6"	32mm	1 2/7"	30mm	1 1/6"	13mm	1/2"
1"	25mm	1"	65mm	2 5/9"	65mm	2 5/9"	30mm	1 1/6"	41mm	1 5/8"	35mm	1 3/8"	19mm	3/4"
1¼"	32mm	1¼"	81mm	3 1/5"	75mm	3"	30mm	1 1/6"	51mm	2"	44mm	1 5/7"	25mm	1"
1½"	38mm	1½"	81mm	3 1/5"	78mm	3"	30mm	1 1/6"	51mm	2"	50mm	2"	31mm	1 2/9"
2"	50mm	2"	81mm	3 1/5"	84mm	3 1/3"	30mm	1 1/6"	51mm	2"	62mm	2 3/7"	43mm	1 2/3"
½"	16mm	¾"	51mm	2"	50mm	2"	24mm	1"	31mm	1 1/5"	25mm	1"	10mm	2/5"
1"	28mm	1½"	65mm	2 5/9"	65mm	2 5/9"	30mm	1 1/6"	41mm	1 5/8"	35mm	1 1/3"	22mm	6/7"



The information contained in this information sheet is for general information purposes only. The information is provided by TruDesign™ and while we endeavour to keep the information up to date and correct, we make no representations or warranties of any kind, express or implied, about the completeness, accuracy, reliability, suitability or availability. Any reliance you place on such information is therefore strictly at your